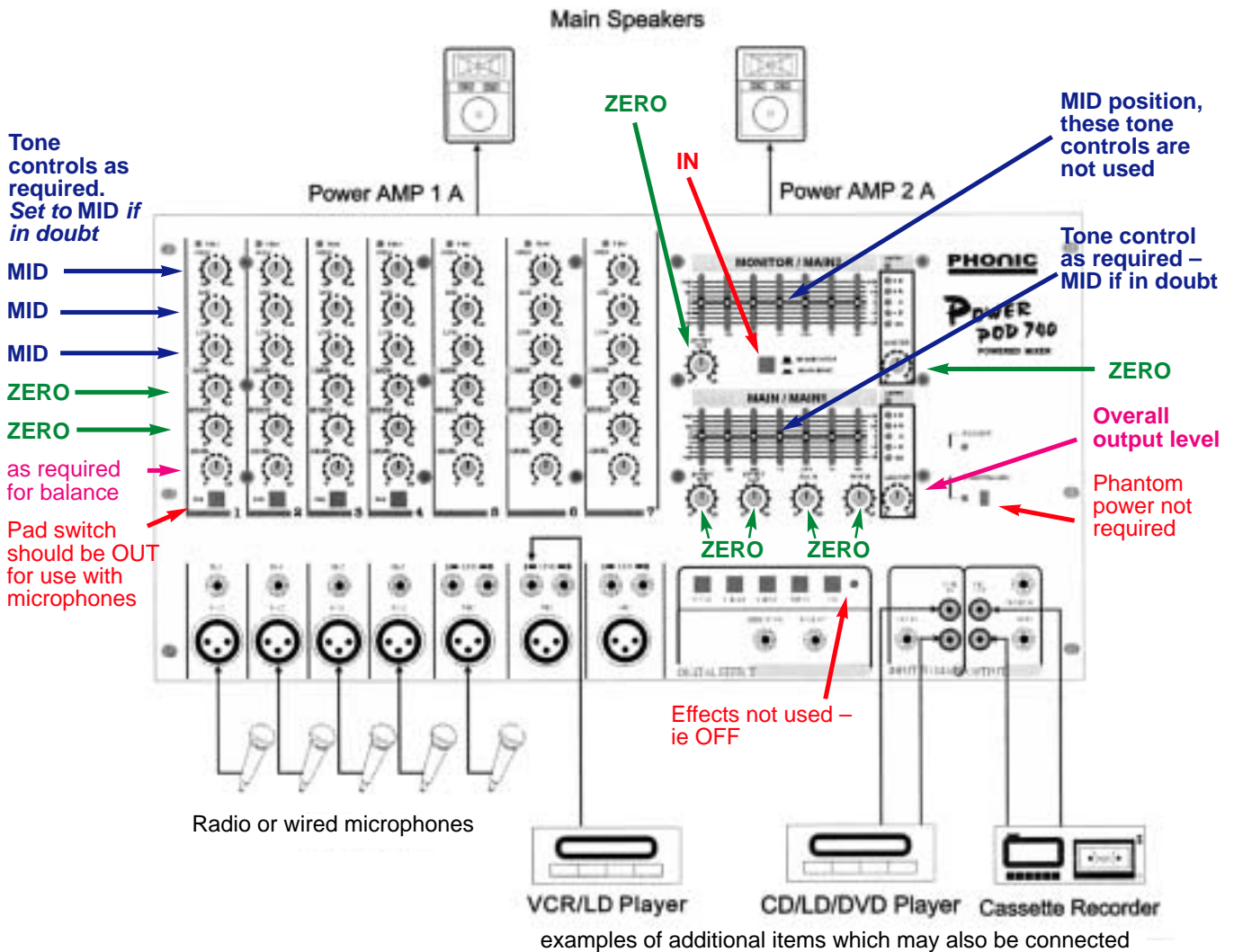


PowerPod 740 mixer amplifier quickset user instructions

This page is a brief overview and not intended as a replacement for the main user's manual instructions

ZERO = Set fully anti-clockwise to 0

MID = Set midway at 12 o'clock



There is an output setting switch on the rear - this should be set to MAIN

The PowerPod mains switch is on the rear, we advise turning off the whole system at the mains rather than turning off each individual item.

