

**This product may be purchased from Connevens Limited secure online store
at www.DeafEquipment.co.uk**



DeafEquipment.co.uk

Solutions to improve the quality of life



Instruction Manual

D471 Converter / Extender

GB

Bruksanvisning

D471 Utbyggnadsenhet

S

Brugsanvisning

D471 Udvider

DK

Käyttöohje

D471 Lisälähetin

FIN

Instrukcja obsługi

D471 Nadajnik do przycisku dzwonekowego

POL

Инструкция

D471 Удлинитель - Преобразователь

RUS

Evo /Décor Push Extender / Converter

Instructions – Please retain these instructions for future reference

GB

Pack contents:

- Push Converter & CR2032 Lithium coin cell battery
- 2 x screws (ø3x20mm), 2 x wall plugs (ø5x25mm) for mounting the Push
- 0.5M bell wire

You will require:

- A small crosshead and flathead screwdriver
- ø 5 masonry drills

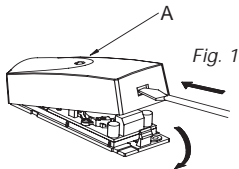
Application

This product will only operate Friedland Evo or Décor range wire-free chimes

- The unit will operate with a simple wired door push, or can be connected to an existing transformer powered door chime
- This unit is not suitable for outdoor installation
- Do not mount within 30cm of large metal objects, this can block the transmission from the converter and reduce the range to the chime
- Works with lit pushes - only when used with transformer power

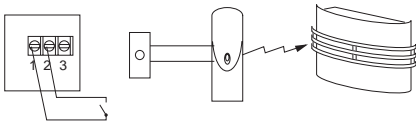
1. Open the converter

To open the front cover carefully insert a flat bladed screw driver, into the slot and twist gently (Fig. 1)



2. To use with a wired door push only

Take the wires directly from the existing push, or use the supplied wire to connect to the converter. Use terminals 1 and 2.

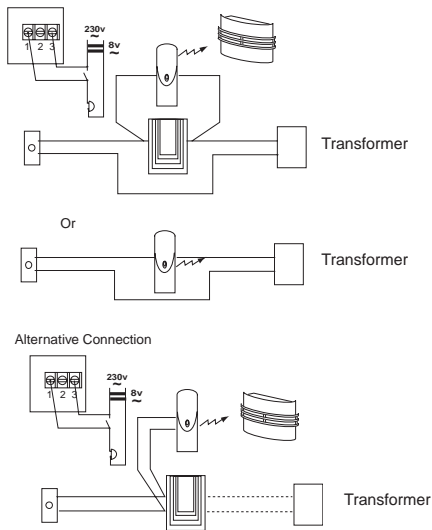


3. To use with a transformer powered chime circuit

Some installations may require this method of connection, for example, to add a wire-free door chime to extend the use of a wired chime.

Connect the converter across the existing door chime, or use it in place of the existing wired chime. Use terminals 1 and 3.

Fig. 3



4. Installation.

For wire exit, remove the breakout area (B) at the bottom left of the base (or inside the cover). Mount the converter vertically and clip the battery into its holder, + side facing out (Fig. 4). Then replace the cover, clipping in the top first, then pressing down so that the bottom clips in.

5. Test the converter

The unit operates when the door push is pressed, but only as the push is released.

The indicator (A) on the front of the unit lights when the unit operates.

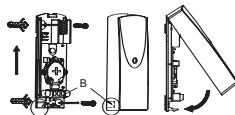


Fig. 4

6. Program your chime

Your door chime must be programmed with the unique transmission from the converter in order for it to chime. Press and hold in the two chime selection buttons "A and B" on your Evo / Décor chime for 6 seconds, when the chime will start playing its available tunes. The chime is now cleared of any previously programmed pushes and can be programmed with the chime converter. For programming, make sure your chime is located (within 1-8m/ 3-25ft) of the converter, and press the connected door push until the chime sounds. The chime is now programmed and ready for use.

GB

7. Multiple wirefree door pushes

A chime can be programmed with up to a total of two pushes or converters. After 'priming' the chime by holding in buttons A and B as above, press your main chime push first until the chime sounds to program it in, followed by your second push within 5 minutes of priming the chime. Refer to the chime instructions for information.

Trouble Shooting

Chime does not sound

First make sure that the indicator (A) lights when the push is pressed – see below

Redo the chime programming operation, following the programming instructions

Check the chime batteries are new and inserted correctly

Move the chime closer to the converter, the chime may be out of range (within 1-8m/ 3-25ft)

Converter indicator (A) does not light when push is pressed

Note: with a transformer powered circuit the indicator lights after releasing the push

Check the converter battery is inserted the right way around, battery + must face outwards

Check that the correct two terminals on the converter are used for the application, see wiring instructions

Check that the wire insulation is not preventing wire contact with the terminals

Check the push connections (or existing powered circuit if used)

Declaration

Novar ED&S hereby declares that this wirefree product is in compliance with the essential requirements and other relevant provisions of the Radio and Telecommunications Terminal Equipment (R & TTE) directive, 1999/5/EC

Friedland guarantees this product for 3 years from date of purchase.

Proof of purchase required, this does not affect your statutory rights.

If you require further information about our products, call the Friedland helpline on 01268 563066.

Friedland, The Arnold Centre, Paycocke Road, Basildon, Essex,
SS14 3EA, England www.friedland.co.uk

