

**This product may be purchased from Connevens Limited secure online store
at www.DeafEquipment.co.uk**



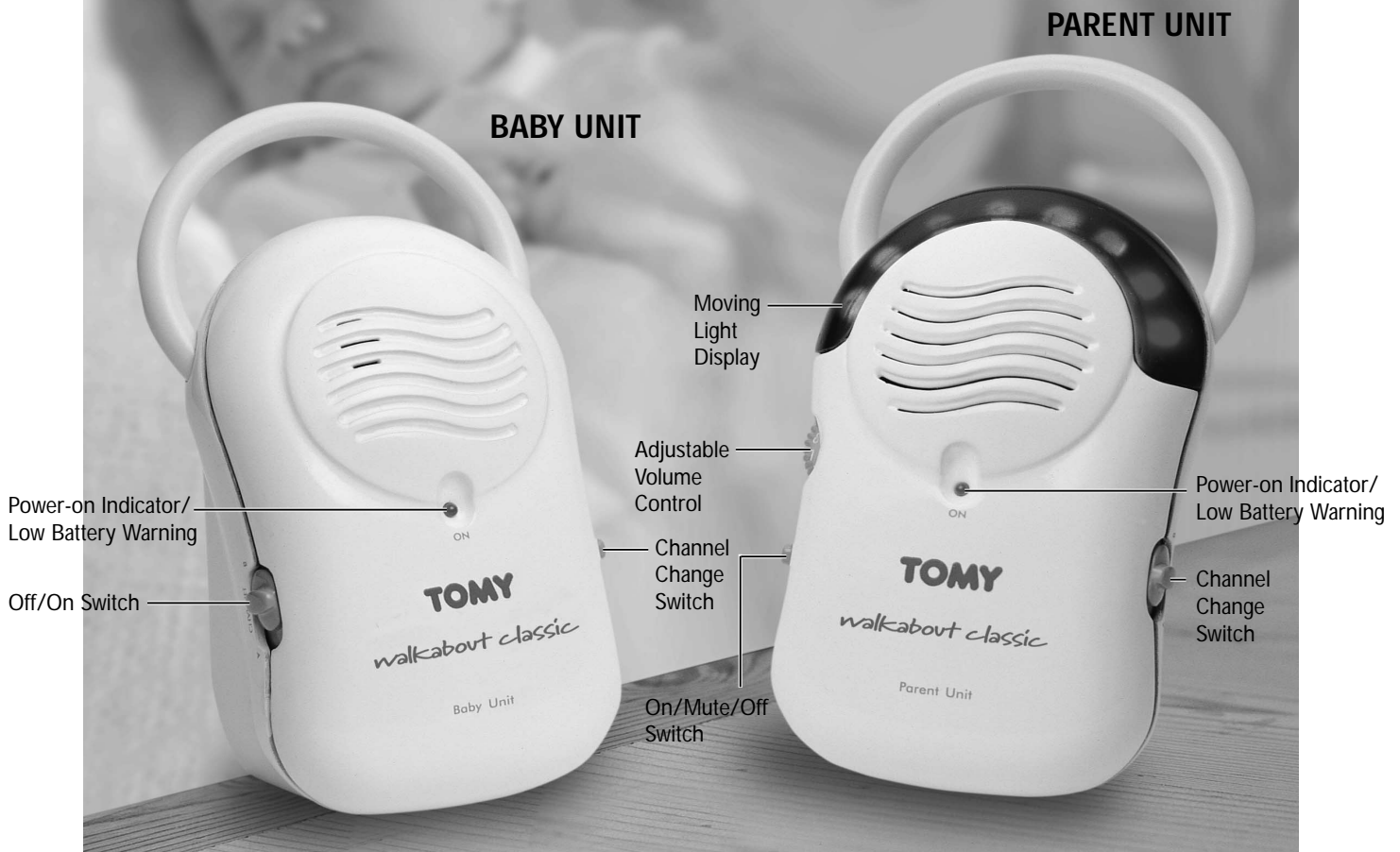
DeafEquipment.co.uk

Solutions to improve the quality of life



TOMY®

walkabout classic
the U.K.'s best selling portable monitor



INSTRUCTIONS FOR USE

PLEASE READ CAREFULLY AND RETAIN THESE INSTRUCTIONS FOR FUTURE REFERENCE.

We are delighted that you have chosen the Tomy WALKABOUT CLASSIC as the convenient and reassuring way to monitor your baby whilst you have complete freedom of movement around the home.

The WALKABOUT CLASSIC has many practical and useful features and is straightforward to use provided you follow these simple instructions.

We would like to draw your attention to two important points as shown below.

- 1) WALKABOUT CLASSIC IS DESIGNED TO HELP YOU MONITOR YOUR CHILD, AND IS NOT A SUBSTITUTE FOR PROPER PARENTAL SUPERVISION.
- 2) YOUR MONITOR TRANSMITS OVER PUBLIC AIRWAVES. YOUR CONVERSATION MAY BE OVERHEARD BY ANOTHER RADIO PRODUCT THAT OPERATES ON THE SAME FREQUENCY. IF INTERFERENCE OCCURS, CHANGE BOTH YOUR BABY UNIT AND PARENT UNIT TO THE SECOND CHANNEL OPTION.

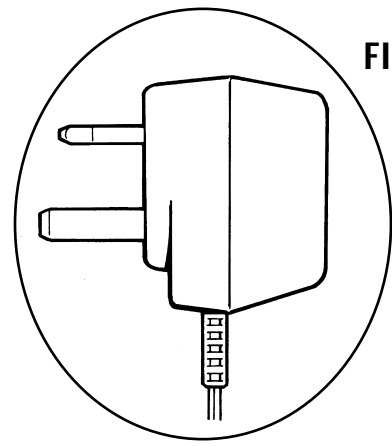
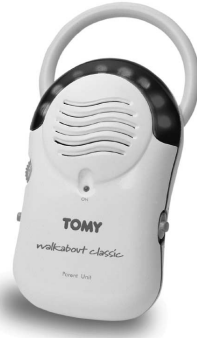


FIG 1

USING THE ADAPTORS (FOR USE ON THE MAINS)

- For best performance we recommend both units are operated using the mains adaptors supplied (Fig 1).
- Simply plug each adaptor into their respective units and then into a convenient mains outlet. Switch on the mains outlet. The red 'on' light on the Parent and Baby unit will automatically illuminate to show you they are functioning.

IMPORTANT

- Under no circumstances should the Tomy Walkabout Classic adaptors be used with any other equipment
- No other adaptors should be used with your Walkabout Classic units.
- Be careful not to position the adaptors where a child is likely to use it as a step. Putting weight on the adaptor whilst it is plugged in could damage the unit.

INSERTING BATTERIES (FOR PORTABLE USE)

- Each unit requires 4 x AA (LR6) batteries which are not included. Alkaline batteries are recommended for optimum performance and maximum operating time.
- The battery compartment is at the back of each unit and can be opened using a screwdriver (Fig 2). Insert the batteries making sure the '+' and '-' are positioned as the diagram in the battery compartment shows. Re-fit the compartment covers on both units.

CAUTION WHEN INSERTING BATTERIES.

Take special care to ensure batteries are inserted correctly, observing (+) and (-) marks on battery and product. Removal and replacement of batteries should be carried out by an adult or under adult supervision. Do not attempt to recharge non-rechargeable batteries. Removal and recharging of rechargeable batteries should be carried out by an adult or under adult supervision. Avoid short circuiting the contacts in the battery compartments or the battery terminals. Remove exhausted batteries from product. Do not mix old (used) and new batteries or batteries of different types, eg. rechargeable and alkaline. Do not attempt to power battery products by the introduction of mains supply or separate power supplies. Dispose of exhausted batteries safely, and never dispose of batteries in a fire. Remove batteries from product after use or if storing for long periods. Periodically examine product for signs of damage to electrical parts and do not use until damage has been properly examined. Please retain the above information for future reference.

SELECTING A CHANNEL

- Set both units to Channel A. This setting need not be changed unless interference occurs (e.g. from a neighbour's monitor). If so, change the settings on BOTH units to Channel B. If interference still occurs please refer to the 'Problem Solving Guide' found on the back page.

IMPORTANT

- Even if the two units are on different Channels, it may still be possible for the Parent Unit to pick up signals from the Baby Unit if they are close together, so you may think both units are on the same Channel. *Always check to make sure both units are on the same Channel.*

SETTING UP THE BABY UNIT

For best performance we recommend that the Baby Unit is used via the mains adaptor supplied.

- Using mains or battery power, switch the unit to 'on' by using the slide switch on the side.
- Place the unit no more than 3 metres (10 feet) away from your baby.

Continuous Monitoring.

By switching the unit to 'on' will allow you to continuously hear all of your baby's sounds.

Low battery warning

- The red 'on' light dims when batteries are low.

Positioning

- The Baby Unit is designed to be stood upright on its wide base.

IMPORTANT

- **Make sure that neither the Unit or the adaptor lead is within reach of your baby**
- Do not use the looped aerial as a carrying handle.

SETTING UP THE PARENT UNIT

The Parent unit is the 'receiver'. This unit 'receives' sounds from the Baby unit, so you can hear your baby. For best performance we recommend that the Parent's Unit is used via the mains adaptor supplied.

Monitoring options

There are two monitoring options to choose from.

- 1) Sound and Light - Turn on the light display by moving the button at the side of the unit to 'on', and ensure you can properly hear baby's sounds by turning up the volume via the Rotary Volume Control on the side of the unit.

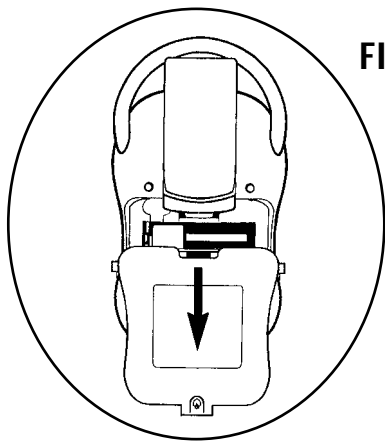


FIG 2

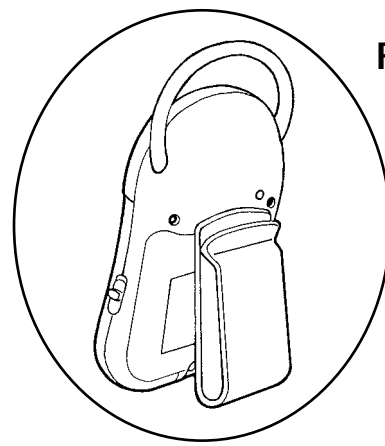


FIG 3

- 2) Lights only - Simply turn on the light display by moving the switch to 'mute', making sure that the unit is not switched off. This is ideal when entertaining!

PLEASE NOTE: Always make sure that either the Light Display and/or the volume control are in use to ensure you are monitoring your baby.

About the light display.

- The moving light display is the semi-circle set of lights around the top of the parent's unit. The lights will illuminate when your baby makes a noise. The louder your baby's sounds, the more lights will illuminate from left to right.

PLEASE NOTE: When the red lights are illuminated, baby's sounds are very loud.

'On' indicator and low battery warning.

- The red 'on' indicator will illuminate when the power switch is at 'MUTE' or 'ON' to show at a glance that the monitor is functioning.
- The red 'on' indicator dims when batteries in the parent's unit are low.

Adjustable volume control

- The level at which you want to hear your baby's sounds can be set and adjusted via the rotary volume control at the side of the monitor. Please ensure the power switch is 'on'.
- There is a minimum volume level that the unit is pre-set to, ensuring that the volume cannot accidentally be turned down too low.

Positioning

- On the back of the Parent unit is an adjustable clip to allow portable use of the monitor wherever you are. The clip is designed so the unit can be clipped to your belt.
- The clip doubles up as a stand by swivelling downwards, to stand the unit in an upright position for optimum viewing of the light display (Fig 3).

TESTING YOUR MONITOR

- We strongly recommend that you test your nursery monitor before you start using it and regularly thereafter. Start in the 'On' mode until you are familiar with the range and performance. Tests should also be carried out if the unit's have been dropped or have not been used for some time.

To Test:

- An adult should speak softly from the position/distance that the baby will be in relation to the unit.
- Another adult should listen to the Parent Unit in various parts of the house, to ensure that the units remain within range of one another.
- A ticking clock or radio can be placed in the baby's room to provide a continuous check on reception while baby is quiet.

IMPORTANT

- Position the Parent Unit within clear communication range of the Baby Unit. The range does vary and can be determined by testing in your particular environment.
- It is essential to regularly test to check that your monitor is working properly.
- In some houses, battery operation will reduce the range of Walkabout Classic - especially if steel reinforcement is used in walls or if the batteries are of inferior quality or exhausted.

FOR BEST RESULTS ALWAYS TRY TO USE THE MAINS POWER SUPPLY OPERATION IF MONITORING IN THE HOME.

See overleaf for the 'Problem Solving Guide.'

COMMUNICATION RANGE

Tomy have very carefully designed the WALKABOUT CLASSIC monitor to operate at its best within a generous 100 metres, which suits most homes and gardens. Depending on environmental conditions you could find the range extends much further, but you may pick up more interference as the distance increases. The range, as a general point, may vary depending on battery power, obstructions such as walls, type of building etc. The range is greater when both units are powered from the adaptors.

PROBLEM SOLVING GUIDE

Problem	Possible Reasons	Action/Remedies
Red power indicators do not light up.	Units are not receiving power	If using the mains adaptors, ensure they are properly plugged in and that the mains outlet is working. Ensure that the mains adaptor is plugged into the unit AND the mains outlet. If using batteries, make sure that they are correctly installed and working properly.
Parent unit is making a loud howling (feedback) noise.	Parent and Baby unit are too close.	Move the Parent unit at least 10m/30ft away from Baby unit. Lower the volume on the Parent unit.
Parent unit is picking up sounds or interference from outside your home.	A neighbour has a similar baby monitor or cordless device using the same radio frequency.	Change the channel on both the Parent unit and the Baby unit.
Background noise is evident ('hiss') although baby can be heard.	Signal levels are low due to room layout and placing/positioning of unit.	Operate Baby unit from the mains adaptor to boost the signal Experiment with the position of Baby unit in the room. Test the position of the Parent unit and try using from the mains adaptor.
Parent unit is on with lots of 'hiss'.	Parent unit is not receiving signals from Baby unit.	Check Baby unit to make sure it is turned on and switched to the same channel as Parent unit. Ensure the Baby unit is plugged in properly to the mains outlet, if this is the intended power source. Check that the mains outlet is working. Check that the Baby unit mains adaptor is plugged into BOTH the unit and the mains outlet in the wall. If using batteries as the power source, ensure that the Baby unit batteries are working.

As required by law, nursery monitoring equipment use public airwaves. It is possible that your Parent unit could pick up signals from other transmitters in your area and transmissions from your monitor may be picked up by other households using similar nursery monitoring equipment. Such instances are rare, and will normally be solved by repositioning your parent or baby's unit – alternatively change channels.

IF PROBLEMS PERSIST, PLEASE CALL THE TOMY CARELINE

TOMY[®]
TOMY Careline

For further information in the U.K. contact:
PO Box 20, Totton, Hants SO40 3YF.

Tel: **023 8066 2600**
Fax: **023 8066 2601**
www.tomy.co.uk

If your monitor requires servicing, please send it to the Tomy Monitor Service Centre which offers a 48 hour express turnaround service.

Tomy Monitor Service Centre, Units 6/9 South Hampshire Ind. Park, Brunel Road, Totton, Hampshire, SO40 3SA.

CE 0123 

This product is for use in the UK and Eire only.
Tomy declare that Walkabout Classic complies with the RTTE Directive 1999/5/EC


Head of Product Integrity