

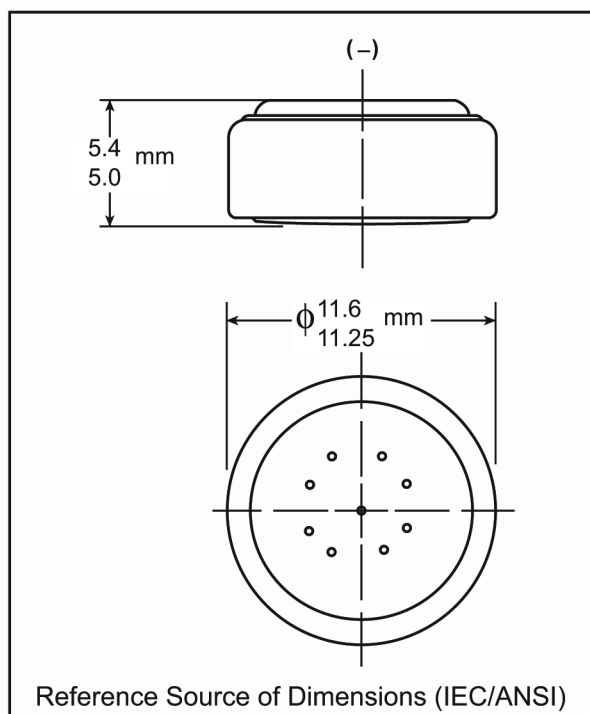
**This product may be purchased from Connevens Limited secure online store
at www.DeafEquipment.co.uk**



DeafEquipment.co.uk

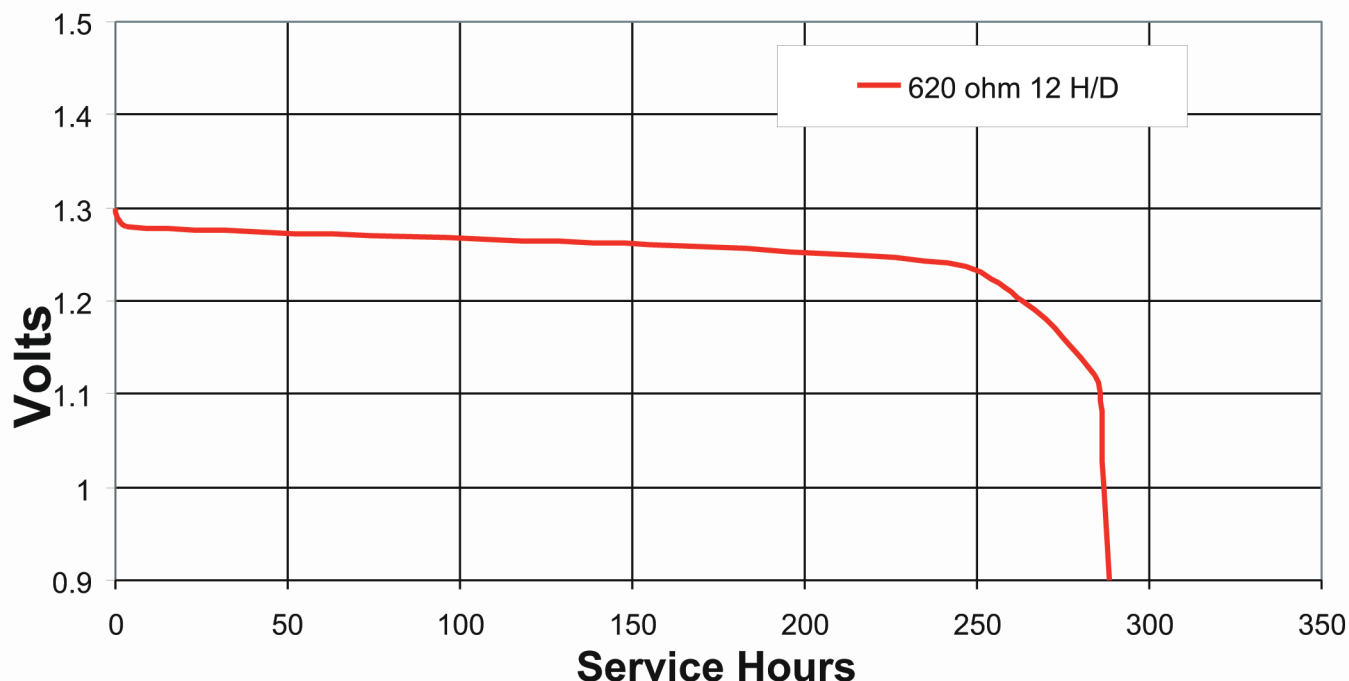
Solutions to improve the quality of life





Nominal Voltage:	1.4 V
Rated Capacity:	600 mAh at 620 ohm to 1.1 V at 21°C (70°F)
Nominal Internal Impedance:	3 ohm @ 1kHz
Average Weight:	1.8 gm
Volume:	0.57 cm ³
Terminals:	Flat
Operating Temperature Range:	0°C to 50°C (32°F to 122°F)
ANSI:	7003 ZD
IEC:	PR44

Typical Discharge Characteristics at 21 °C (70°F)



DURACELL®
BATTERIES

Berkshire Corporate Park
Bethel, CT 06801 U.S.A.

Internet: www.duracell.com
Telephone: Toll-free 1-800-544-5454

* Delivered capacity is dependent on the applied load, operating temperature and cut-off voltage. Please refer to the charts and discharge data shown for examples of the energy / service life that the battery will provide for various load conditions.