

**This product may be purchased from Connevens Limited secure online store
at www.DeafEquipment.co.uk**



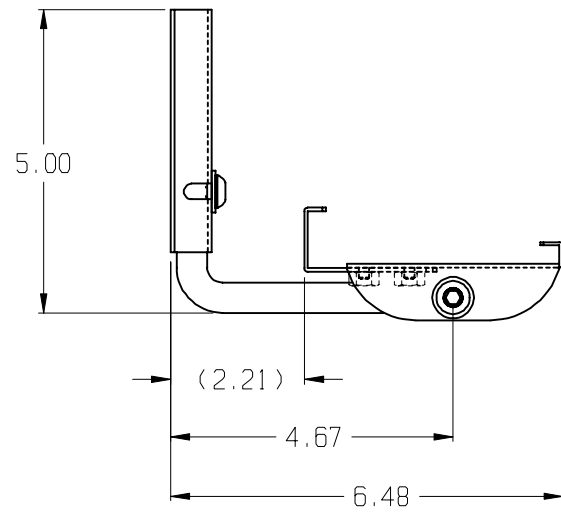
DeafEquipment.co.uk

Solutions to improve the quality of life

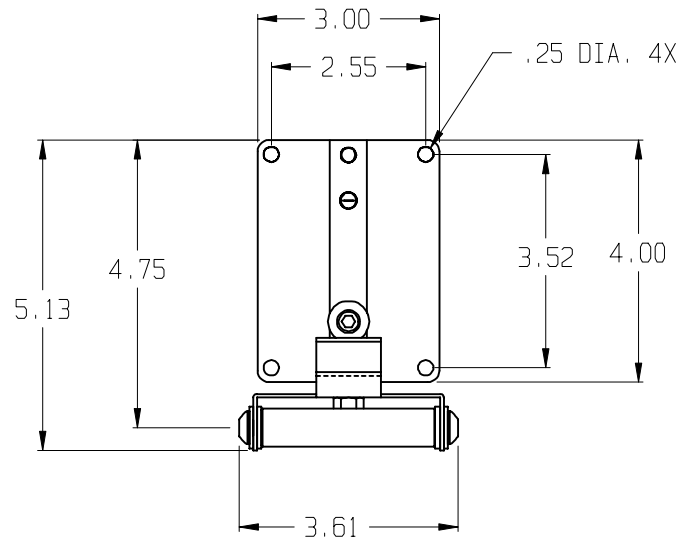


MTC-1A Mounting Bracket Assembly

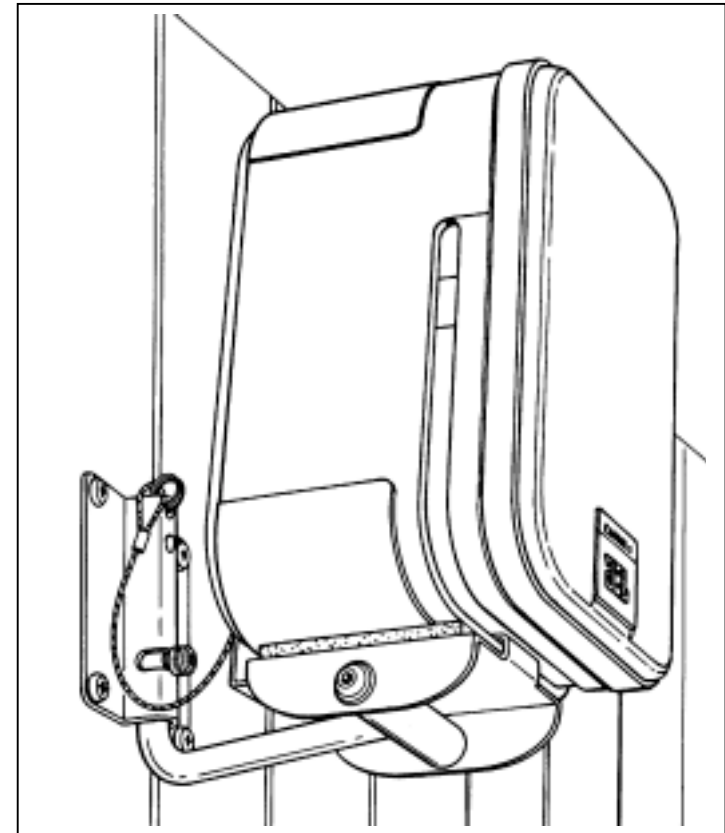
Note: Dimensions in Inches



Side View



Front View



Hardware Kit: (pair)

- 2 pcs. Locking plate
- 2 pcs. 1/4-20 x 1/2" Socket screw
- 4 pcs. #8-32 Hex nut
- 2 pcs. 9" Safety cable
- 4 pcs. Cable ring
- 2 pcs. 1/4" Flat washer