

**This product may be purchased from Connevens Limited secure online store
at www.DeafEquipment.co.uk**



DeafEquipment.co.uk

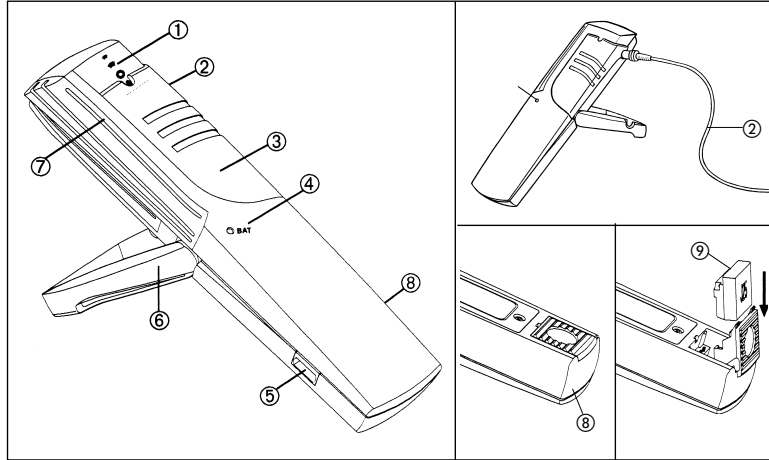
Solutions to improve the quality of life



TX3 HandyMic/Wireless Microphone

Technical Data

Portable, lightweight wireless microphone and transmitter housed in a single unit, incorporating Multi-Microphone Technology with omnidirectional, directional and super-directional microphones as well as an FM transmitter. Multifunction jack allows connection to external antenna and audio-visual equipment, etc.



Technical Data

Type:	Transmitter for MicroLink and MicroVox Receiver
Dimensions:	125 x 33 x 18 mm (L x W x D)
Weight:	75 g (with Accumulator)
Power supply:	Ni-MH Accumulator (1.2 V/800 mAh)
Voltage range:	1.08–1.56 V DC (Accumulator)
Battery current drain:	≤ 60 mA
Accumulator life:	> 13 hours (with 800 mAh Ni-MH Accu)
External power supply:	3–6 V DC, 100 mA
Operating temperature range:	–10 °C to +55 °C

HF-Part

Frequency range:	173–185 MHz (Band H) 185–201 MHz (Band J) 207–217 MHz (Band N)
Frequency:	One channel, crystal controlled, exchangeable
Frequency stability:	Better than ±10 ppm over the whole voltage and temperature range
Type of modulation:	FM (Narrow band)
Antenna:	Integrated in the Clip or external 50 cm wire antenna
Spurious emissions:	< 4 nW ERP (Norm ETS 300422 and 300445)

Audio-Part

Bandwidth:	100–7000 Hz
Microphone sensitivity:	97 dB SPL at $f_{mod} = 1$ kHz will give $\Delta f_{dev} = 5$ kHz (100% modulation) 70 dB SPL at $f_{mod} = 1$ kHz will give $\Delta f_{dev} = 2.8$ kHz
External audio input (VOX):	
Attack time:	< 500 ms
Release time:	> 30 s / < 90 s
Input range:	max. 1 V _{rms} at $f_{mod} = 1$ kHz, min 30 mV _{rms} at $f_{mod} = 1$ kHz, $Z_m > 10$ k Ω
Distortion:	THD < 1.2% appropriate IEC 118-7 at 70 dB SPL with $f_{mod} = 1$ kHz, result an $\Delta f_{dev} = 2.8$ kHz

Specification Power Supply

Plug type:	1.3 mm DC plug (walkman type) plus-pole in the centre
Primary voltage:	110–240 V AC
Secondary voltage:	Minimum: 3.6 V DC, maximum: 6 V DC
Ripple:	< 500 mV at I out = 100 mA

Warning:

The maximum voltage output from the charger should never exceed 7 volts. Over 7 volts a protection circuit is activated, and charging is not possible.

Description of instrument

- ① Slide switch symbols
- ② External DC power jack
- ③ Slide switch
- ④ Low battery indicator and charging light
 - a) When the red light is blinking, the battery needs to be charged.
 - b) A continuous light will appear to show the unit is being recharged.
- ⑤ Multifunction jack. This jack allows connection to audiovisual equipment (e.g. TV, radio, etc.) or the external antenna can be plugged in for extended operating range.
- ⑥ Clip
- ⑦ Microphone ports
- ⑧ Compartment holding the frequency module
- ⑨ Plug-in frequency module

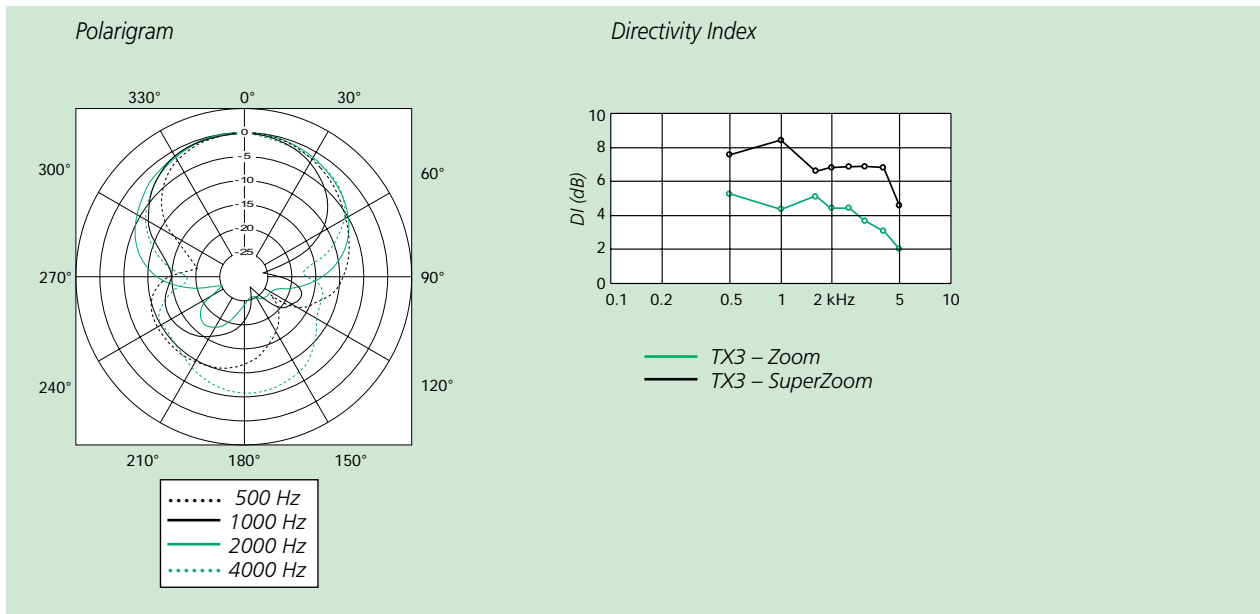
User controls

- Slide switch
- OFF
- ⊙ Wide-angle microphone
- ⊕ Zoom microphone
- ≡ SuperZoom microphones

Special features

- Versatile, high-performance Microphone/ FM transmitter
- Picks up the speaker's voice directly at the source and transmits it, cable-free, to the listener's hearing instruments
- Can be placed either directly in front of the sound source, slipped into the speaker's shirt pocket or hand-held by the hearing instrument user and aimed at the speaker, when there are multiple talkers.
- Enhanced Multi-Microphone Technology allows selection of different levels of directionality, Wide-angle, Zoom and SuperZoom
- Exchangeable color and number coded plug-in frequency modules for easy frequency selection
- Rechargeable battery
- TV, radio and telephone link-up. Direct transmission of signals to the hearing instruments
- Connection to audiovisual equipment including public address systems, video recorders, and movie projectors
- Compatible with the MicroLink and MicroVox systems
- Licensed for new, interference-free frequencies
- Portable, light weight, easy to use, modern design

Directivity

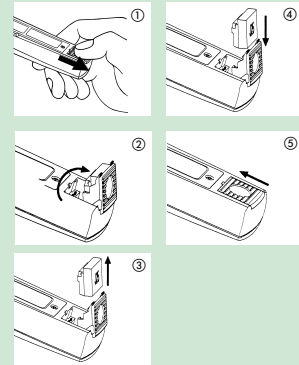


Accessories

- Audio cord for TV/radio link-up (Order ref. No. 52217)
- External antenna (Order ref. No. 52218)
- Lavalier cord with clip (Order ref. No. 52244)
- Case
- Wall charger, power supply with europlug 230 V/3 V DC. (Order ref. No. 52241)
- Frequency module (Order ref. No. 52018H02 to N60). The number of channels and frequency bands available differs from country to country.
- Accumulator NiMH 1.2 V/800 mAh (Order ref. No. 70002)
- Dummy TX3 (Order ref. No. 40034)

Exchanging the frequency module

1. Press firmly on the transparent compartment cover of the frequency module, and slide it in the direction of the arrow.
2. Open the compartment.
3. Pull out the frequency module.
4. Insert the new module.
5. Close the compartment and slide it back into place.



Exchanging the rechargeable battery

1. Place the TX3 HandyMic on a flat surface and raise the clip (see drawing).
2. Remove the screw, lift up the battery cover and remove the old battery.
3. Insert the new battery. Check that the negative and positive pole are turned correctly (see drawing).
4. Replace the battery cover and fix it with a new screw.

